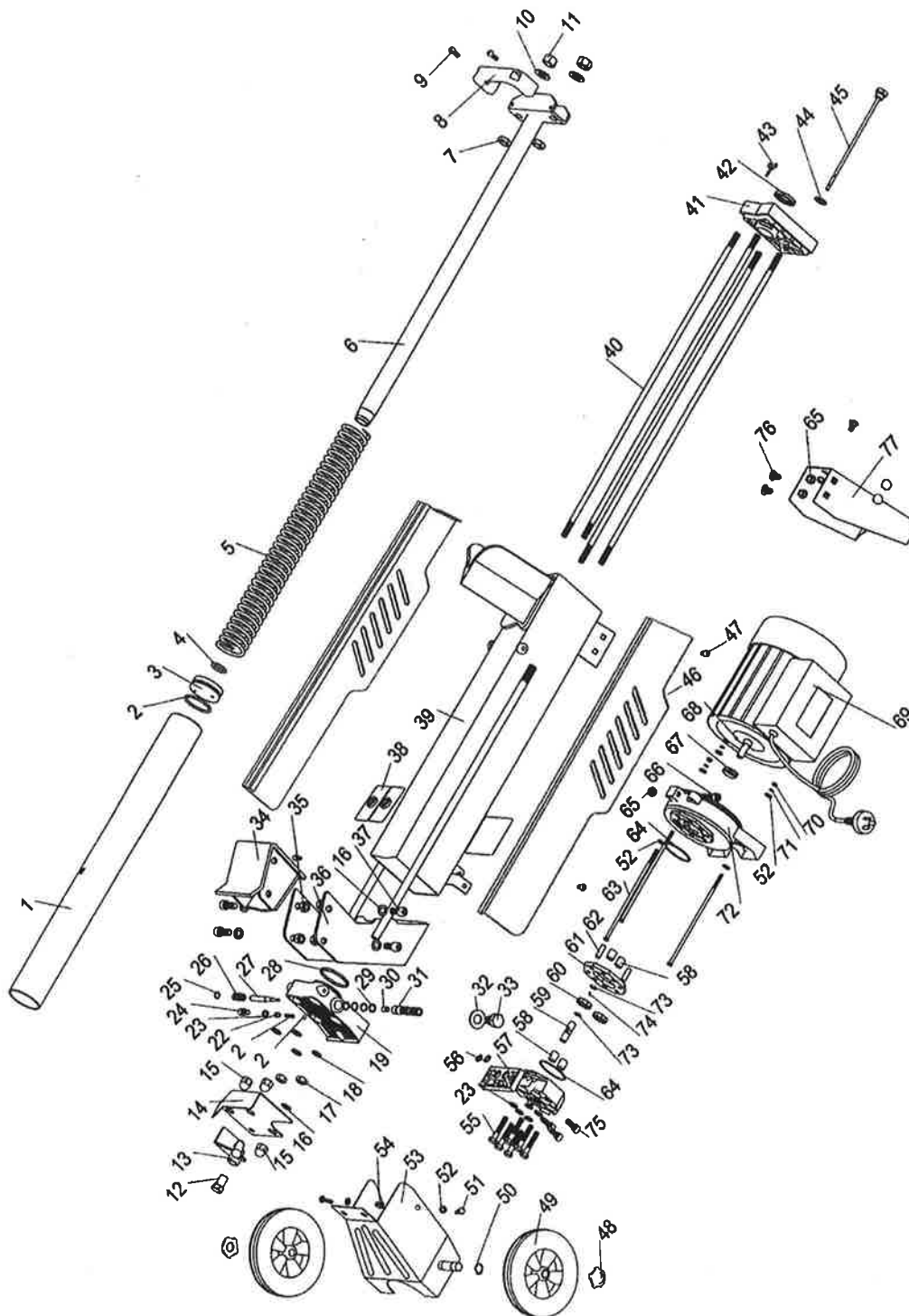


TAVOLA RICAMBI SLO 500



LISTA DEI RICAMBI SLO 500

No	Namen	Qty	No	Namen	Qty
1	Oil cylinder	1	41	Oil tank aluminum cover	1
2	ST-Style gasket 44X55	1	42	CK-type dust-proof ring 30X41.8	1
3	Piston	1	43	Butterfly-style Nut M4X16	1
4	ST-Style gasket	1	44	Gasket 10	1
5	Big spring	1	45	Oil ruler	1
6	Piston rod	1	46	Support & Protection guard	2
7	Nuts M14	2	47	Inner hexagon bolt M6X10	4
8	Lift handle	1	48	Red plastic cover	2
9	Inner hexagon bolt	2	49	Wheel	2
10	Washer 14	2	50	Spindle stop 13	2
11	Anti-loose nuts M14	2	51	Cross half-round head bolt	2
12	Fixing nut for handle	1	52	Washer 6	5
13	Operation handle	1	53	Back steel-plate support	1
14	Handle guard	1	54	Nut M6	2
15	Cover-type nut M10	3	55	Six angle head bolt M8X55	6
16	Washer M10	3	56	O ring 10X2.65	2
17	Nuts M10	4	57	Gear pump housing	1
18	Gasket	4	58	Roll spindle 13X11X15	2
19	Aluminum block	1	59	Gear spindle	1
20	Steel ball S6(diameter)	1	60	Gear	2
21	Spring 6.2X1.6	1	61	Middle clapboard	1
22	Fixing bolt M8X8	1	62	Column pin 8X25	2
23	O ring 8X1.8	1	63	Motor connecting spindle	3
24	Column head bolt	1	64	Ring 46.2X1.8	2
25	Stop ring 6	1	65	Nut 6	6
26	Small Spring 7.8	1	66	Inner six angle bolt M6X30	1
27	Small spindle	1	67	Framework oil seal	1
28	Gasket 55X3.1	1	68	Motor spindle	1
29	O ring 10.6X1.8	5	69	Motor	1
30	Inner sheath	1	70	Nut 6	3
31	Small spindle sheath	1	71	Stretching pad 6	3
32	Gasket 16	1	72	Frontal aluminum cover of motor	1
33	Screw M14X1.5	1	73	steel stop 11	1
34	Pushing plate	1	74	Ball 2.5	1
35	Nut M10	4	75	Six angle head nut M8X30	3
36	Support bracket	1	76	Bolt with small half round head and low square neck M8X20	5
37	Inner hexagon bolt	4	77	Frontal support stand	1
38	Plastic pad 1	1			
39	Workable tank	1			
40	Two-head bolt	4			