

BENASSI®

Agricoltura e Giardinaggio

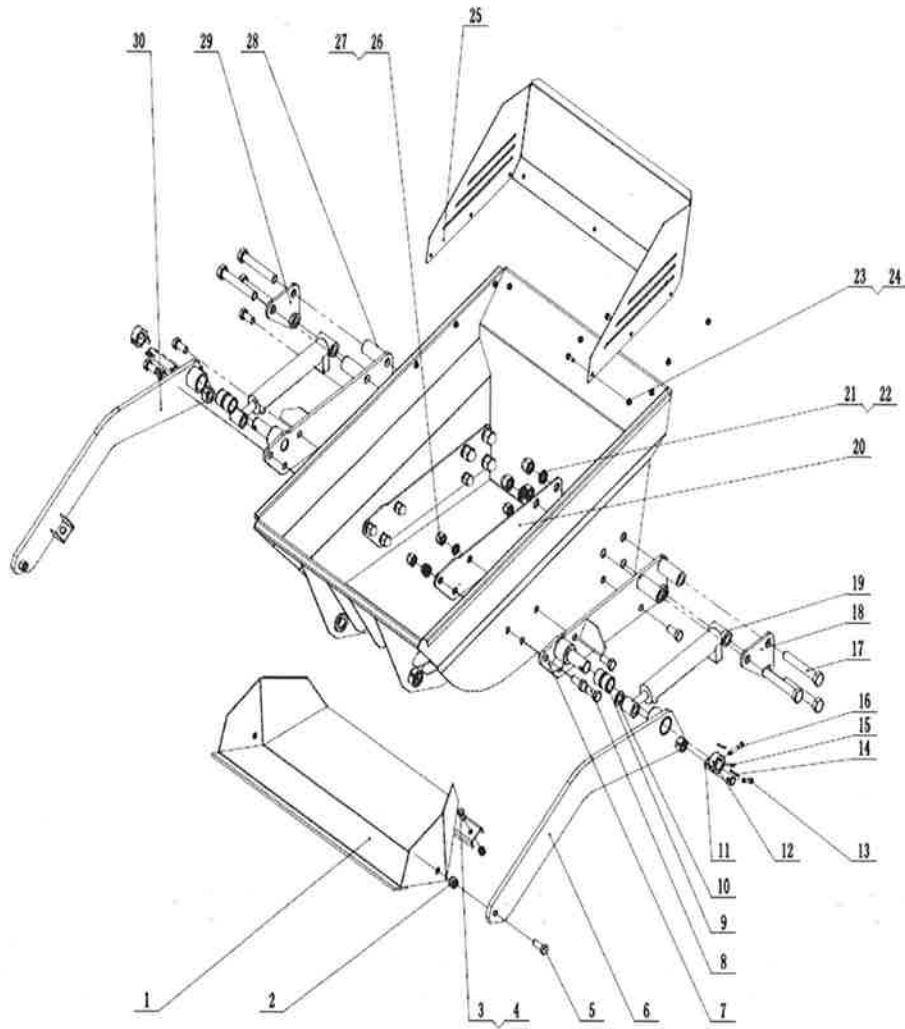
**HYDRO 560 C HYDRO 560 CS
MINI DUMPER IDRAULICI**

TAVOLE RICAMBI

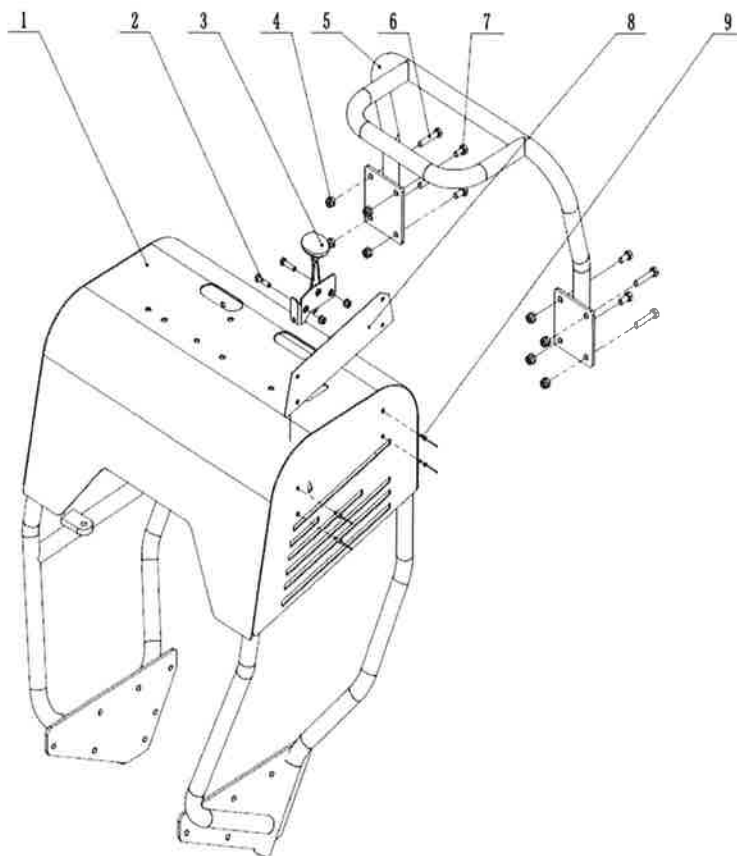
SPARE PARTS LIST



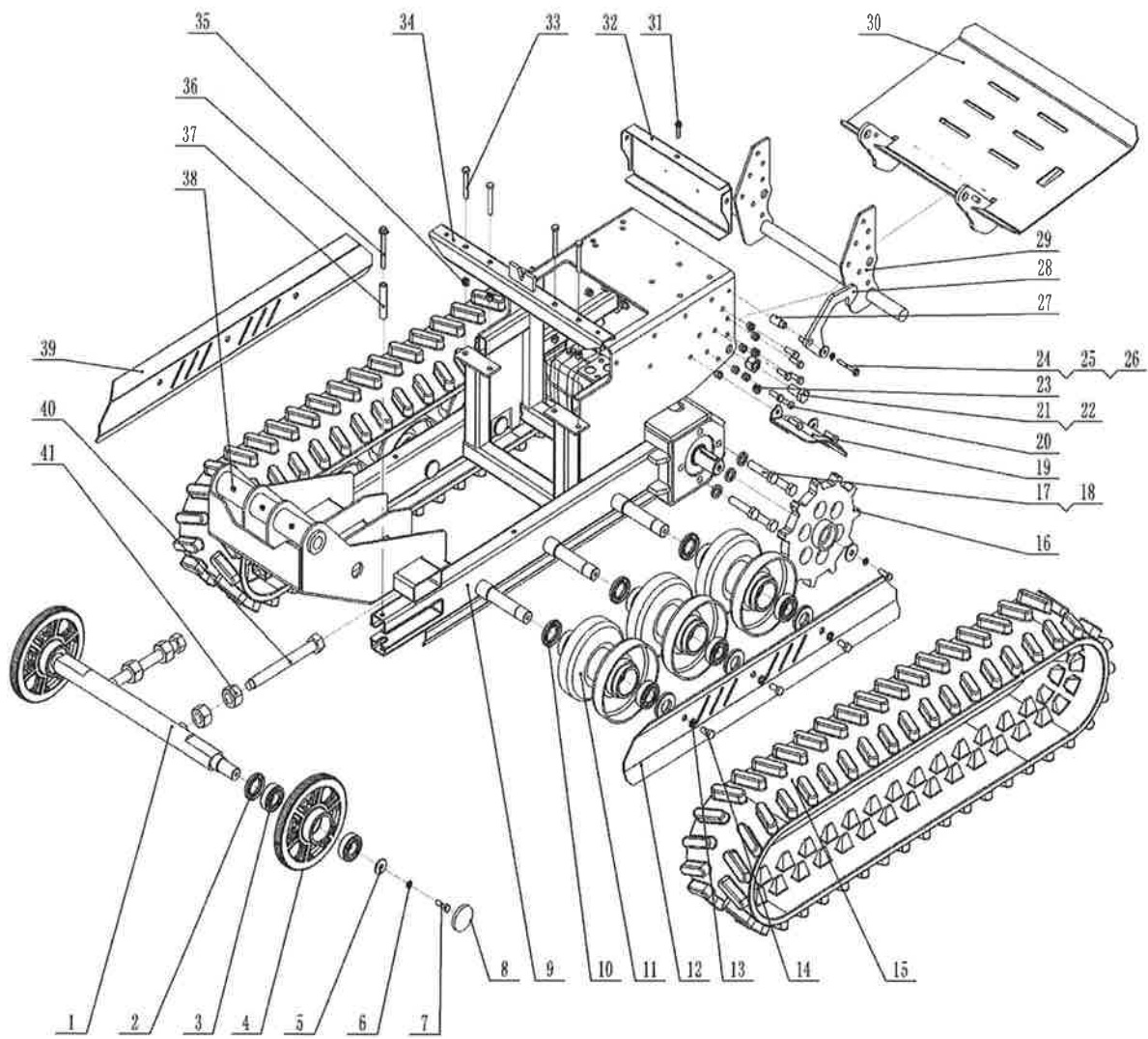
REV.00

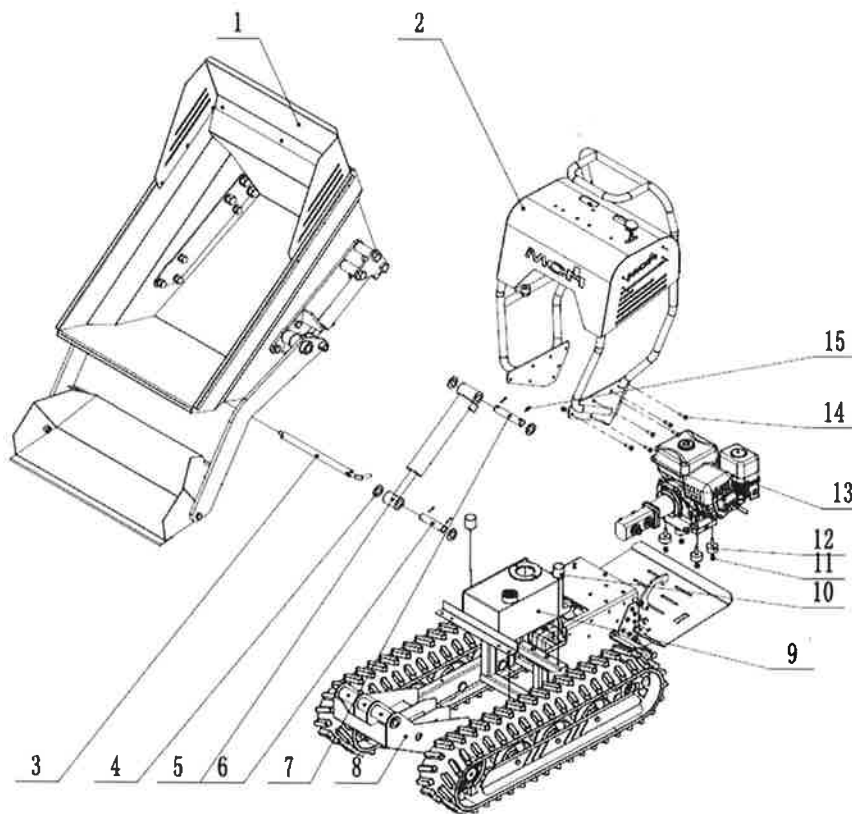


| Ref No | Part No | Description | Q.ty |
|--------|---------------|-------------------------------|------|
| 1 | MJCH500-03-12 | Bucket | 1 |
| 2 | GB/T 889.1 | M14 lock nut | 2 |
| 3 | GB/T 889.1 | M10 lock nut | 2 |
| 4 | GB5782 | M10x25 hex bolts | 2 |
| 5 | GB5782 | M14x35 hex bolts | 2 |
| 6 | MJCH500-03-09 | left arm | 1 |
| 7 | MJCH500-03-04 | leftarm support | 1 |
| 8 | GB5782 | M16x40 hex bolts | 8 |
| 9 | MJCH500-03-08 | bush III | 2 |
| 10 | GB/T95-2001 | Ø20 flat washer | 2 |
| 11 | MJCH500-18 | Ø20 pin roll | 2 |
| 12 | MJCH500-03-11 | Arm mounting sleeve | 2 |
| 13 | GB/T 882 | Ø8x35 straight pin | 2 |
| 14 | GB/T 91 | 2x30 splitpin | 4 |
| 15 | GB/T 91 | 5x50 splitpin | 2 |
| 16 | GB/T 882 | Ø8x45 straight pin | 2 |
| 17 | GB5782 | M20x130 hex bolts | 6 |
| 18 | MJCH500-03-06 | left side plate | 1 |
| 19 | MJCH500-09 | hydraulic cylinder G40/20-164 | 2 |
| 20 | MJCH500-03-05 | The inner container plate | 2 |
| 21 | GB/T93-1987 | 20 Spring Washer | 6 |
| 22 | GB/T802-88 | M20 Round nut | 6 |
| 23 | GB5782 | M6x16 hex bolts | 9 |
| 24 | GB/T 889.1 | M6 lock nut | 9 |
| 25 | MJCH500-03-02 | Dumper back protection | 1 |
| 26 | GB/T93-1987 | Ø16 Spring Washer | 8 |
| 27 | GB/T802-88 | M16 Round nut | 8 |
| 28 | MJCH500-03-03 | right arm support | 1 |
| 29 | MJCH500-03-07 | right side plate | 1 |
| 30 | MJCH500-03-10 | right arm | 1 |



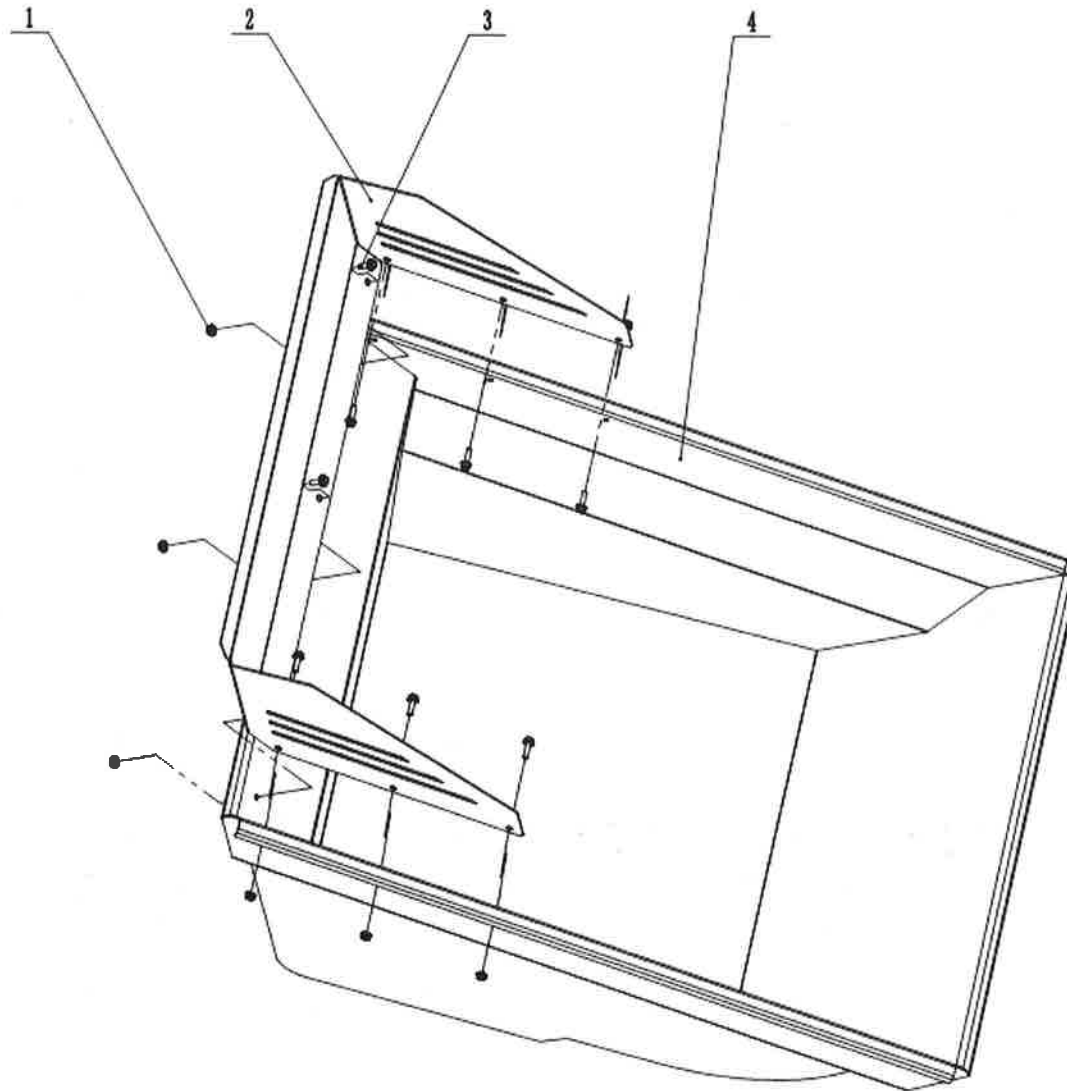
| Ref No | Part No | Description | Qty |
|--------|----------------|--------------------------------------|-----|
| 1 | MJCH500-01-01 | Operating table welding assembly | 1 |
| 2 | GB/T 5782 | M8x30 bolt | 2 |
| 3 | | Throttle switch assembly | 1 |
| 4 | GB/T 889.1 | M8 lock nut | 10 |
| 5 | MJCH500-01-02 | Operating table arm welding assembly | 1 |
| 6 | GB/T 5782 | M8x45 bolt | 4 |
| 7 | GB/T 5782 | M8x20 bolt | 4 |
| 8 | MJCH500-01-04 | Operating table inner plate | 2 |
| 9 | GB/T12618-1990 | 6x10 All round head rivets | 8 |



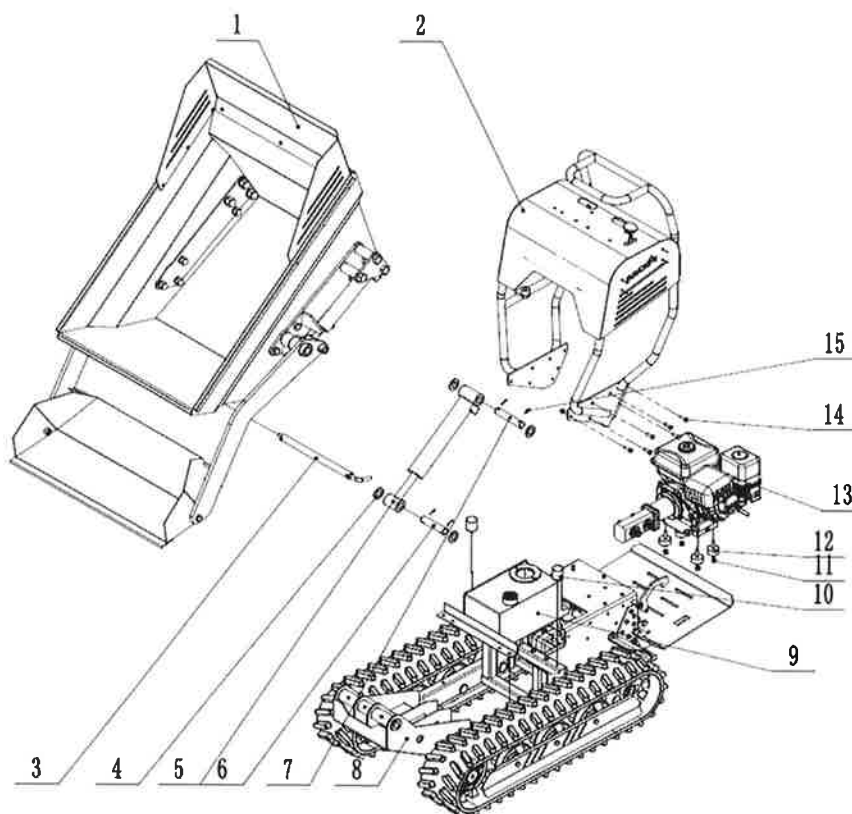


| Ref No | Part No | Description | Qty |
|--------|---------------|-------------------------------|-----|
| 1 | MJCH500-03 | Dumper assembly | 1 |
| 2 | MJCH500-01 | Operating table assembly | 1 |
| 3 | MJCH500-08 | Container connecting shaft | 1 |
| 4 | GB/T95-2002 | Ø20 flat washer | 4 |
| 5 | MJCH500-10 | hydraulic cylinder G50/25-224 | 1 |
| 6 | MJCH500-19-01 | pin roll Ø25×113 | 1 |
| 7 | MJCH500-19-02 | pin roll Ø25×120 | 1 |
| 8 | MJCH500-02 | chassis assembly | 1 |
| 9 | MJCH500-17 | Fuel tank assembly | 1 |
| 10 | MJCH500-26 | The box supporting rubber pad | 2 |
| 11 | GB/T 889.1 | M8 lock nut | 22 |
| 12 | MJCH500-27 | engine support rubber | 4 |
| 13 | GX200Q | Engine | 1 |
| 14 | GB5782 | M8×25 hex bolts | 14 |
| 15 | GB/T 91 | 5×50 cotter pins | 4 |

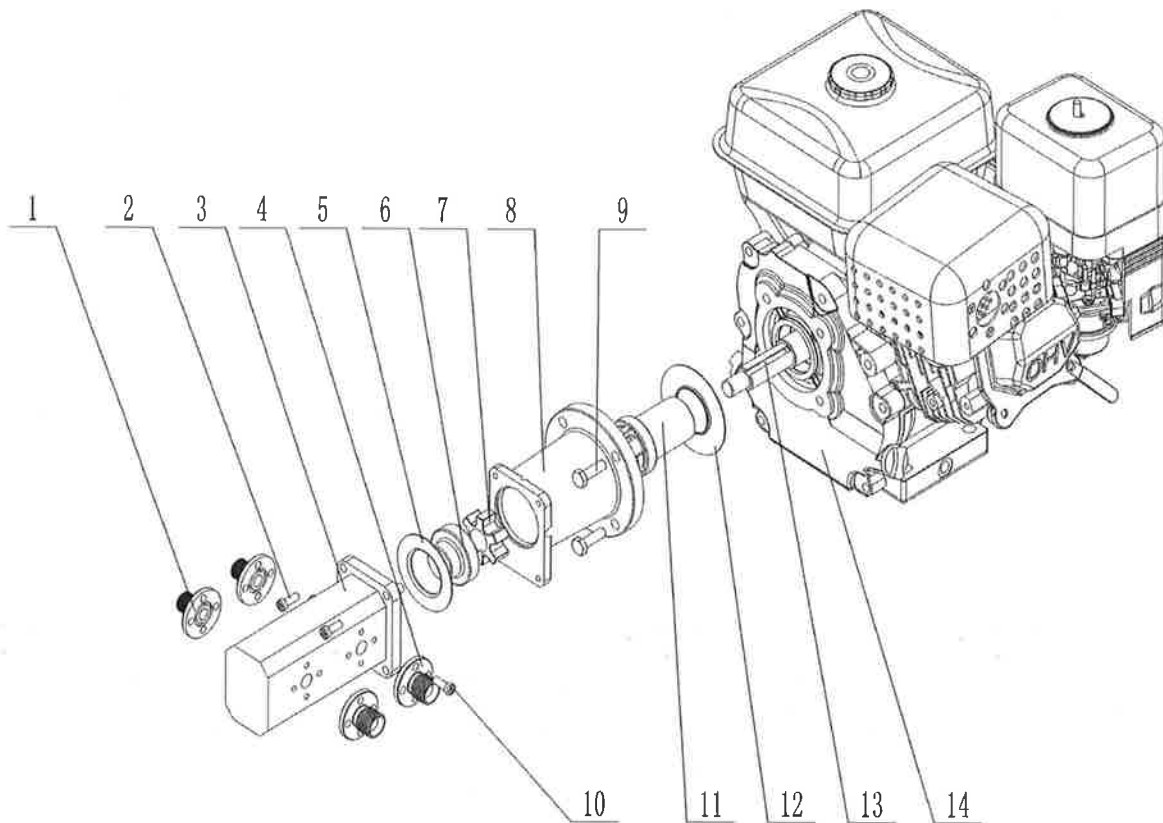
| Ref No | Part No | Description | Qty |
|--------|-----------------|-----------------------------------------|-----|
| 1 | MJCH500-02-04 | Guide Axle | 1 |
| 2 | GB/T13871.1 | 30X52X10 framework oil seal | 8 |
| 3 | GB/T267-1994 | 6205Z deep groove ball bearing p6 | 16 |
| 4 | MJCH500-02-03 | guide wheel | 2 |
| 5 | Ø8X38X3 | 8X38X3 oversize flat washer | 4 |
| 6 | GB/T93-1987 | Ø8 spring washer | 4 |
| 7 | GB/T 5782 | M8X25 hex bolts | 4 |
| 8 | Ø52X7 | 52X7 Cap seal | 2 |
| 9 | MJCH500-02-01 | The main welding assembly | 1 |
| 10 | GB/T13871.1 | 25X52X10 framework oil seal | 6 |
| 11 | MJC500-02-00-03 | thrust wheel | 6 |
| 12 | MJCH500-02-10 | Roller outer plate | 1 |
| 13 | GB/T93-1987 | Ø10spring washer | 10 |
| 14 | GB/T 5782 | M10X30 | 6 |
| 15 | 180x60x38 | Rubber track | 2 |
| 16 | MJCH500-02-02 | Traction Wheel | 2 |
| 17 | GB/T 5782 | M14X50 M14%x35 hex bolts | 8 |
| 18 | GB/T93-1987 | Ø14 Spring Washer | 8 |
| 19 | MJCH500-06 | rubber track cover | 2 |
| 20 | GB/T 5782 | M8X25 hex bolts | 16 |
| 21 | GB/T 5782 | M16X40 hex bolts | 2 |
| 22 | GB/T 889.1 | M16 lock nut | 2 |
| 23 | GB/T 889.1 | M8 lock nut | 16 |
| 24 | GB/T 5782 | M6X50hex bolts | 1 |
| 25 | GB/T93-1987 | Ø6spring washer | 3 |
| 26 | GB/T96.2-2002 | Ø6 big flat washer | 1 |
| 27 | MJCH500-05-02 | Pedal buckle mounting sleeve | 1 |
| 28 | MJCH500C-05-01 | Pedal buckle welding assembly | 1 |
| 29 | MJCH500-07 | Pedal support shaft welding assembly | 1 |
| 30 | MJCH500-04 | Pedal pad | 1 |
| 31 | GB/T 5782 | M6X20 M14%x35 hex bolts | 2 |
| 32 | MJCH500-16 | engine rear support cap | 1 |
| 33 | GB/T 5782 | M10X60 bolt | 4 |
| 34 | MJCH500-02-11 | Container support tube welding assembly | 1 |
| 35 | GB/T 889.1 | M10 lock nut | 4 |
| 36 | GB/T 5782 | M8X95 | 2 |
| 37 | MJCH500-02-07 | The main chute reinforcing sleeve | 2 |
| 38 | JB/T7940.1-1995 | M6 Straight cup | 3 |
| 39 | MJCH500-02-09 | roller retainer plate | 1 |
| 40 | MJCH500-02-08 | Rubber track tension axle | 2 |
| 41 | GB/T6170-2000 | M24 nut | 2 |



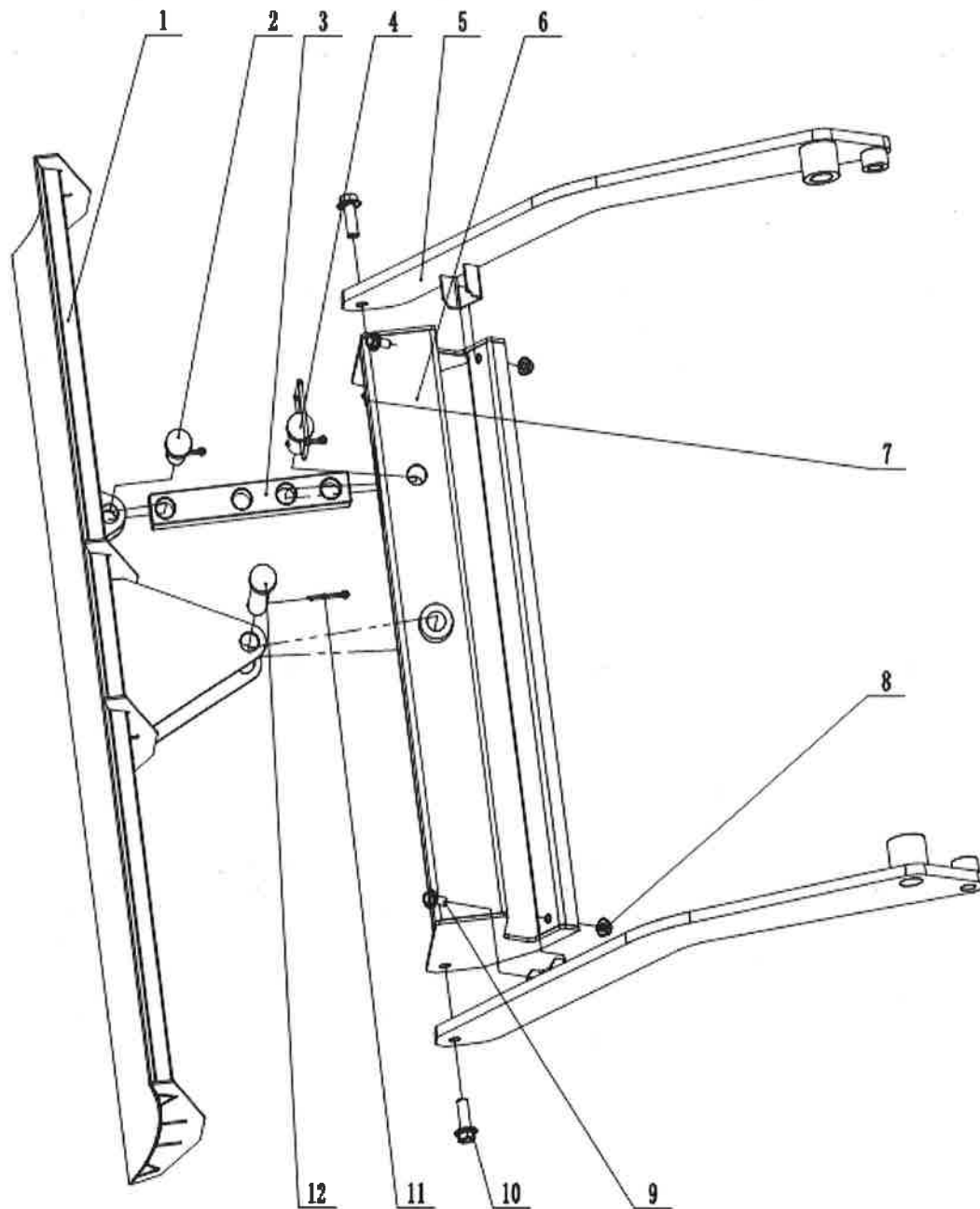
| Ref No | Part No | Description | Qty |
|--------|-----------------|-------------------------|-----|
| 1 | GB/T6177.1-2000 | M6 nut | 9 |
| 2 | MJCH500-03-02 | Dumper back protection | 1 |
| 3 | GB/T5789-2000 | M6x16 bolt | 9 |
| 4 | MJCH500-03-01 | Dumper welding assembly | 1 |



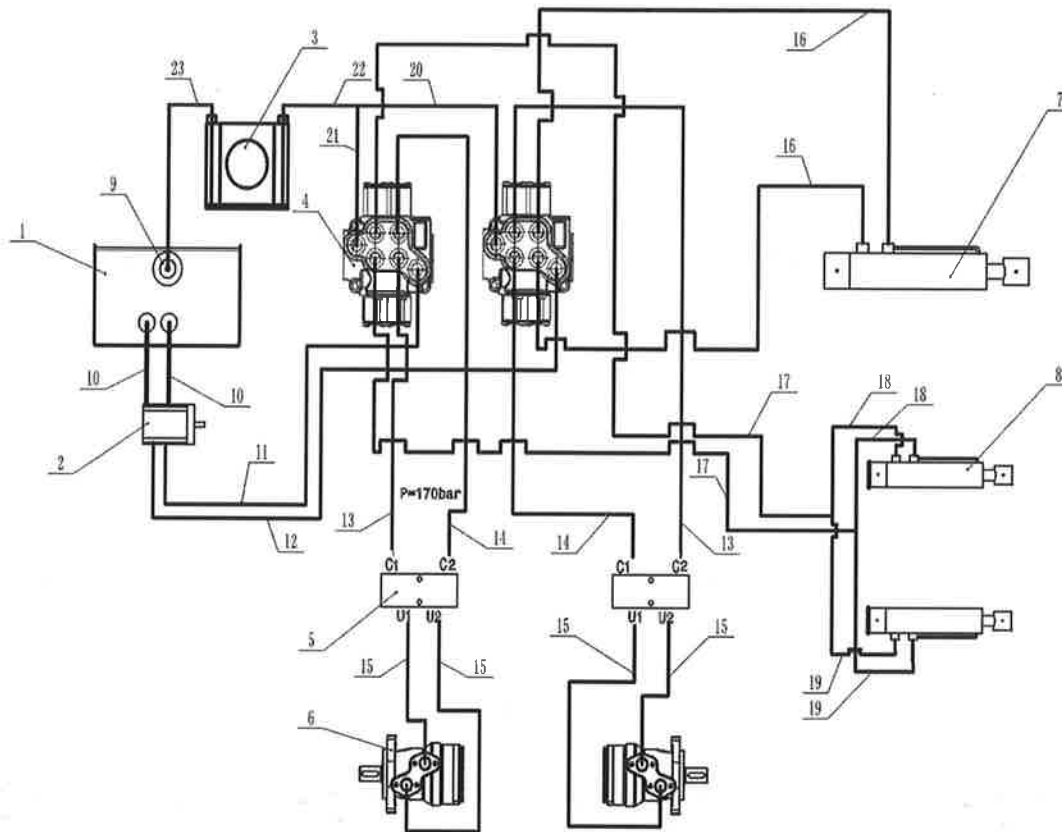
| Ref No | Part No | Description | Qty |
|--------|---------------|-------------------------------|-----|
| 1 | MJCH500-03 | Dumper assembly | 1 |
| 2 | MJCH500-01 | Operating table assembly | 1 |
| 3 | MJCH500-08 | Container connecting shaft | 1 |
| 4 | GB/T95-2002 | Ø20 flat washer | 4 |
| 5 | MJCH500-10 | hydraulic cylinder G50/25-224 | 1 |
| 6 | MJCH500-19-01 | pin roll Ø25×113 | 1 |
| 7 | MJCH500-19-02 | pin roll Ø25×120 | 1 |
| 8 | MJCH500-02 | chassis assembly | 1 |
| 9 | MJCH500-17 | Fuel tank assembly | 1 |
| 10 | MJCH500-26 | The box supporting rubber pad | 2 |
| 11 | GB/T 889.1 | M8 lock nut | 22 |
| 12 | MJCH500-27 | engine support rubber | 4 |
| 13 | GX200Q | Engine | 1 |
| 14 | GB5782 | M8×25 hex bolts | 14 |
| 15 | GB/T 91 | 5×50 cotter pins | 4 |



| Ref No | Part No | Description | Qty |
|--------|---------------------------|------------------|-----|
| 1 | MJCH500-30 | connector | 2 |
| 2 | GB/T70.1-2008 | bolt | 4 |
| 3 | BKP1/1BOD2.7/2.7TOEO/EO-E | tandem pump | 1 |
| 4 | MJCH500-30 | connector | 2 |
| 5 | MJCH500-20-04 | disc | 1 |
| 6 | MJCH500-20-02 | connector | 1 |
| 7 | MJCH500-20-03 | rubber connector | 1 |
| 8 | MJCH500-21 | bell housing | 1 |
| 9 | GB/T5789-2000 | bolt | 4 |
| 10 | GB/T70.1-2008 | bolt | 16 |
| 11 | MJCH500-20-01 | connector | 1 |
| 12 | MJCH500-20-05 | disc | 1 |
| 13 | 4.78x4.78x40 | key | 1 |
| 14 | GX200Q | engine | 1 |



| Ref No | Part No | Description | Qty |
|--------|-----------------|-------------------------------------|-----|
| 1 | MJCH500-37-01 | Sled welding assembly | 1 |
| 2 | MJCH500-37-02 | Pin axis I | 1 |
| 3 | MJCH500-37-03 | adjustable plate | 1 |
| 4 | MJCH500-37-04 | An adjusting bolt | 1 |
| 5 | MJCH500-37-05 | Swing arm assembly | 1 |
| 6 | MJCH500-37-06 | Sled support frame welding assembly | 1 |
| 7 | GB/T6177.1-2000 | M14 nut | 2 |
| 8 | GB/T6177.1-2000 | M10 nut | 2 |
| 9 | GB/T5789-2000 | M10x30 bolt | 2 |
| 10 | GB/T5789-2000 | M14x40 bolt | 2 |
| 11 | GB/T91-2000 | cotter pins | 3 |
| 12 | MJCH500-37-07 | Pin axis II | 1 |



| Ref. Nc | Part. No | Description | Qty |
|---------|---------------------------|-----------------------|-----|
| 1 | MJCH500-17-01 | Tank | 1 |
| 2 | BKP1/1BOD2.7/2.7TOEO/EO-E | Gear pump | 1 |
| 3 | AF1025T | Cooling | 1 |
| 4 | MJCH500-11 | valve spool | 2 |
| 5 | A-VNR-CS-DE-14-LC-Z | Overcenter valve | 2 |
| 6 | BMSY-200-E4BDBLL | hydraulic moto | 2 |
| 7 | MJCH500-10 | hydraulic cylinder I | 1 |
| 8 | MJCH500-09 | hydraulic cylinder II | 2 |
| 9 | DPL-QH-0002 | Filrer | 1 |
| 10 | 1/2"x395 3-3 a=90° | 1 hydraulic tube | 2 |
| 11 | 3/8 "x960 3-3 a=270° | 2 hydraulic tube | 1 |
| 12 | 3/8 "x600 3-3 a=180° | 3 hydraulic tube | 1 |
| 13 | 3/8"x300 1-3 | 4 hydraulic tube | 2 |
| 14 | 3/8"x350 1-3 | 5 hydraulic tube | 2 |
| 15 | 3/8"x550 1-1 | 6 hydraulic tube | 4 |
| 16 | 1/4"x2350 3-3 a=225° | 11 hydraulic tube | 2 |
| 17 | 1/4x530 1-3 | 12 hydraulic tube | 2 |
| 18 | 1/4"x2350 3-3 a=300° | 13 hydraulic tube | 2 |
| 19 | 1/4"x2350 1-3 | 14 hydraulic tube | 2 |
| 20 | 3/8 "x170 3-3 a=360° | 8 hydraulic tube | 1 |
| 21 | 3/8"x400 1-3 | 7 hydraulic tube | 1 |
| 22 | 3/8"x250 1-3 | 9 hydraulic tube | 1 |
| 23 | 3/8 "x1300 3-3 a=90° | 10 hydraulic tube | 1 |

BENASSI srl

VIA LAMPEDUSA, 1

40017 San Giovanni in Persiceto - Fraz. S.M. DECIMA (BO) Italia

tel 051 820511 fax 051 6826164

www.benassi.eu

E.mail: benassi@benassispa.it